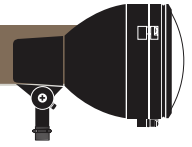
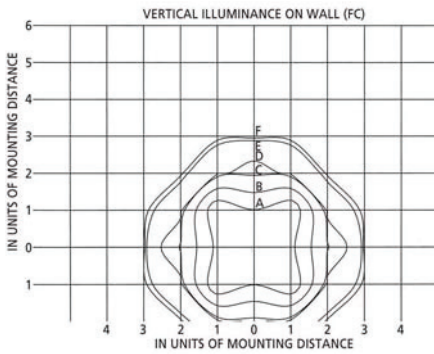


Photometrics: 120V Retrofit Accent

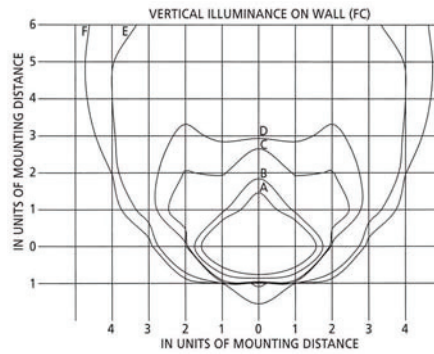
15251 – 75W Metal Halide



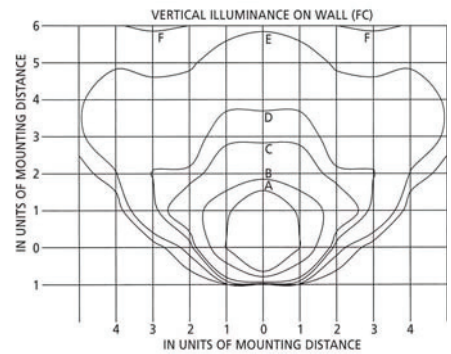
Clear ED17 Metal Halide based on 5000 lumens per lamp



0° Angle

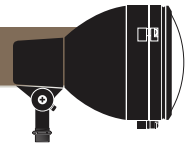


30° Angle

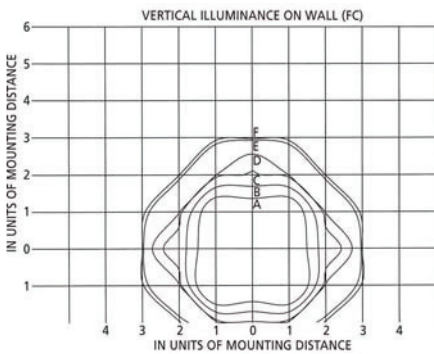


45° Angle

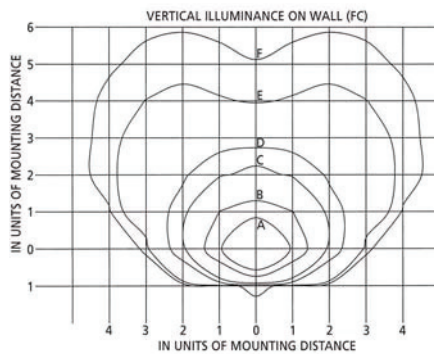
15251 – 100W Metal Halide



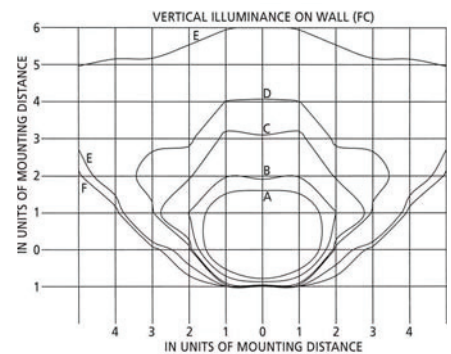
Clear ED17 Metal Halide based on 9000 lumens per lamp



0° Angle

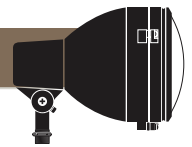


30° Angle

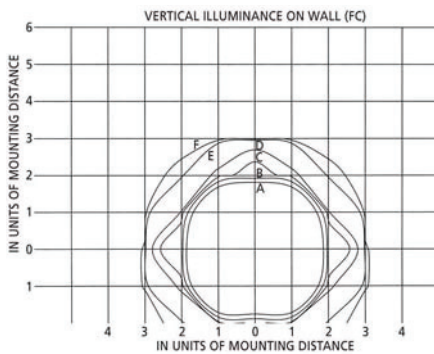


45° Angle

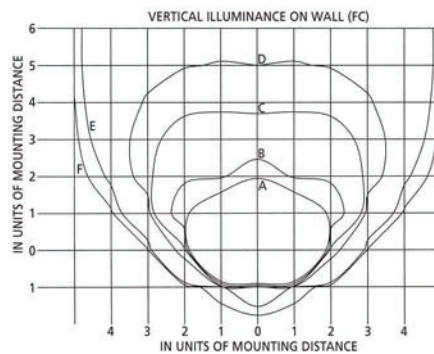
15251 – 175W Metal Halide



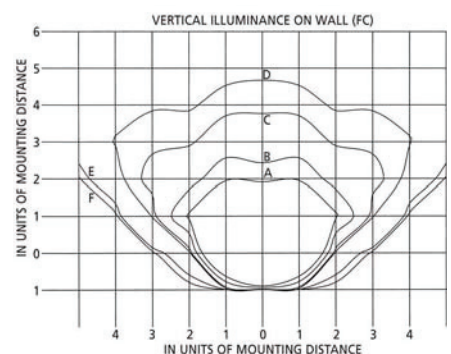
Clear ED17 Metal Halide based on 14,000 lumens per lamp



0° Angle



30° Angle



45° Angle